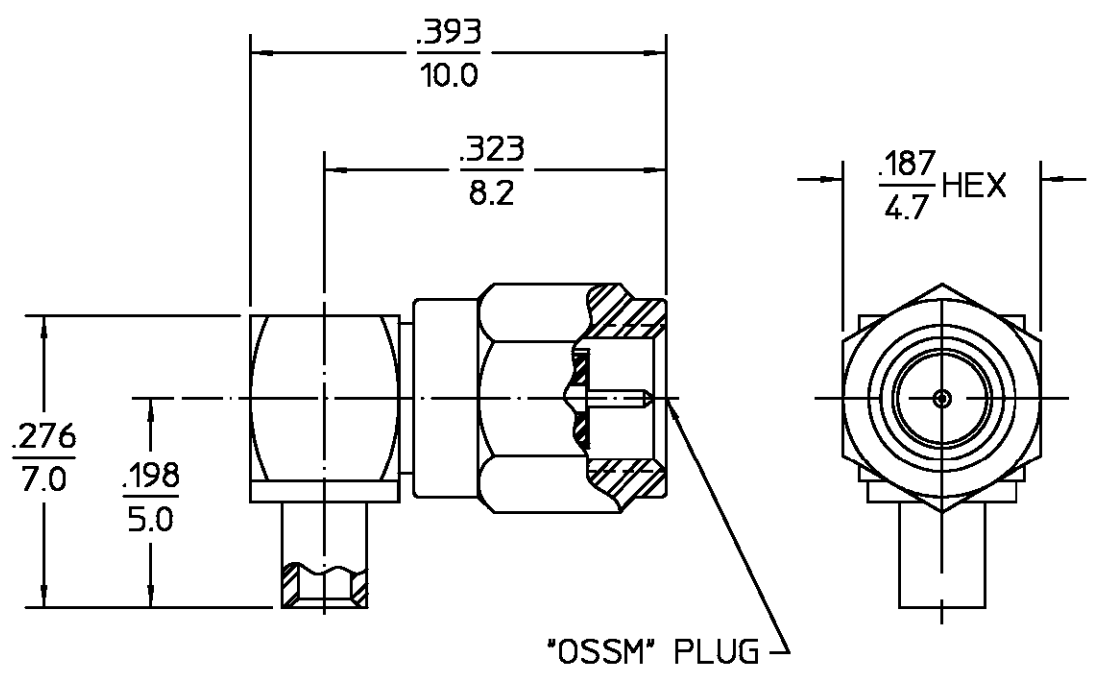


|  |                 |             |                   |          |
|--|-----------------|-------------|-------------------|----------|
| DESIGNED FOR USE WITH<br>.047 SEMI RIGID CABLE | REVISIONS       |             |                   |          |
| CABLE ENTRY DIAMETER<br>MINIMUM                | REV             | DESCRIPTION | DATE              | APPROVED |
| HOUSING  | 02 <sub>2</sub> | REVISED     | 7/12/70<br>T. Nag | R. C.    |



.XXX = in  
XX.X = mm (REF)

|  |  |                               |
|--|--|-------------------------------|
| HOUSING NUT<br>REAR HOUSING<br>COUPLING NUT<br>CAP | STAINLESS STEEL PER<br>ASTM-A484 AND ASTM-<br>A582, TYPE 303                   | GOLD PLATE PER<br>MIL-G-45204 |
| DIELECTRIC   | TFE FLUOROCARBON<br>PER ASTM-D-1457  | N/A                           |
| CENTER CONTACT                                     | BERYLLIUM COPPER PER<br>ASTM-B-196 OR ASTM-B-197,<br>ALLOY C17300, CONDITION H | GOLD PLATE PER<br>MIL-G-45204 |
| RETAINING RING                                     | BERYLLIUM COPPER PER<br>ASTM-B-194, ALLOY<br>C17200, CONDITION H               | N/A                           |
| GASKET   | SILICONE RUBBER PER<br>ZZ-R-765  | N/A                           |

| COMPONENT | MATERIAL | FINISH |
|-----------|----------|--------|
|-----------|----------|--------|

|  |                      |                  |   |
|--|----------------------|------------------|---|
| UNLESS OTHERWISE SPECIFIED<br>DIMENSIONS ARE IN INCHES<br><br>FRAC. DEC. ANGLES<br>± 1/64 ±.005 ± 1° | DRAWN BY<br>RMK      | DATE<br>11/10/70 | AMP Incorporated<br>140 Fourth Avenue<br>Waltham, MA 02451-7599 |
|  | CHECKED BY<br>P.R.B. | 11/11/70         |   |
|  | APPD BY<br>B.W.C.    | 11/11/70         |   |

NOTES:  
1. CAPTURED CENTER CONTACT

|   |                    |  |                      |              |
|---|--------------------|--|----------------------|--------------|
| These drawings and specifications are the property of M/A COM Interconnect Div. and shall not be reproduced or copied or used in whole or in part as the basis for the manufacture or sale of item(s) without written permission. | USE ASSY PROCEDURE | TITLE OSMM RIGHT ANGLE<br>CABLE PLUG<br>DIRECT SOLDER ATTACHMENT |                      |              |
|   | NO. A.P. 40-004    | SIZE B   | CODE IDENT NO. 26805 | 4007-7947-00 |
|   | 408-08252          | SCALE 6:1  | REV 02 <sub>2</sub>  | SHEET 1 OF 1 |